

DOME MIRROR (ADF-45 AND ADF-66)

- CEILING MOUNT
- ACRYLIC MIRROR PROVIDES EXTRA CLEAR IMAGES
- 360° ANGLE FOR FULL SURROUNDING VIEWING
- SOLID & LIGHT MIRROR FOR EASY INSTALLATION
- SUITABLE FOR DEPOT, SUPERMARKET, WAREHOUSE, HOSPITAL
- CROSS AISLE USE



ITEM NO : ADF-45 (18 inches) / ADF-66 (26 inches)

DESCRIPTION : 360° DOME MIRROR (Full)

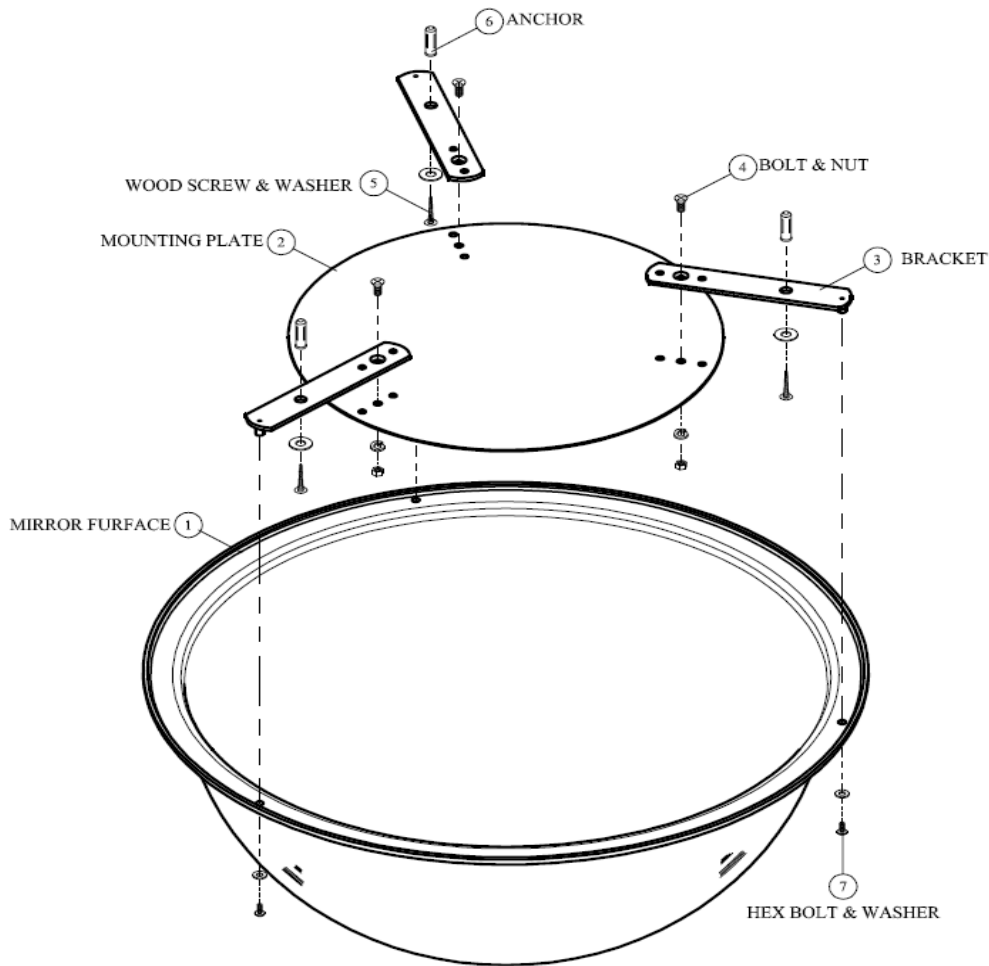
MIRROR SIZE : 450mm (18 inches) / 660mm (26 inches)

CONVEX RADIUS : 360°

MIRROR MATERIAL : R330

BACKBOARD MATERIAL : ACRYLIC

WEIGHT : 1.5 kg / 3.5 kg



P.N.	DESCRIPTION	SPECIFICATIONS	UNIT	Q'TY	REMARK
1	Mirror Surface	Acrylic	Piece	1	Clear & waveless surface
2	Mounting Plate	Galvanized steel plate	Piece	1	
3	Bracket	Galvanized steel plate	Set	3	
4	Bolt & Nut		Set	3	(2) Mounting Plate & (3) Bracket assembly use
5	Wood Screw & Washer		Set	3	Ceiling mount use
6	Anchor	Plastic	Set	3	Ceiling mount use
7	Hex Bolt & Washer		Set	3	(1) Mirror Surface & (2) Mounting Plate assembly use