

INDOOR MIRROR POLYCARBONATE



MIRROR MATERIAL: ACRYLIC / PC (POLYCARBONATE)

MIRROR SIZE:

φ 300mm / φ 450mm / φ 600mm / φ 660mm

CONVEX RADIUS: R550 / R850 / R1300 / R1600

BACKBOARD MATERIAL: HIGH IMPACT PP

MOUNTING METHOD:

WALL MOUNT / CEILING MOUNT



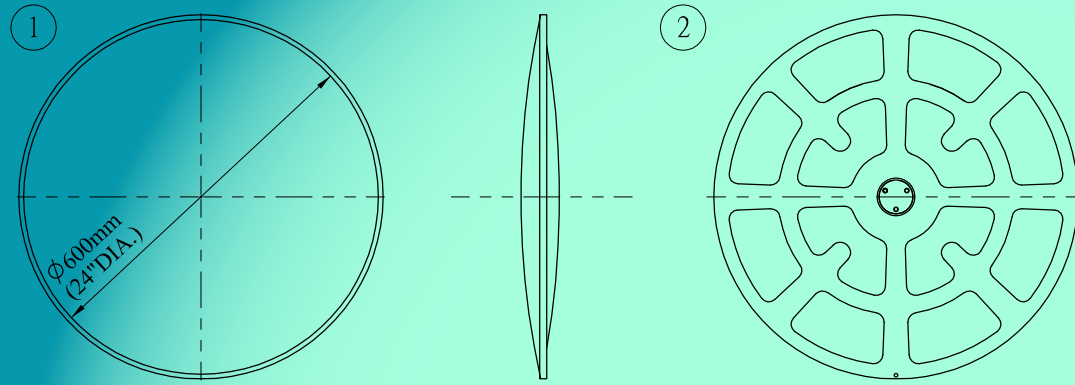
ASTROL



SECURITY

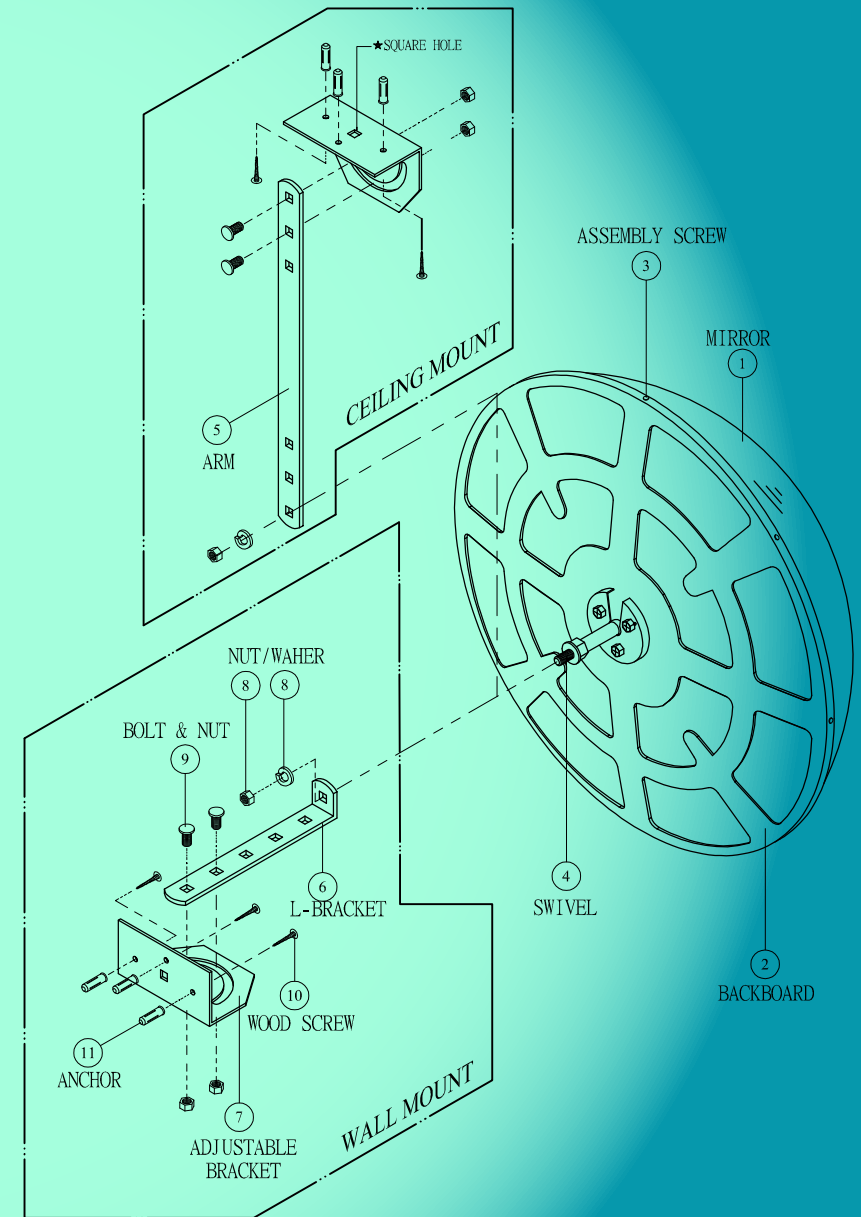
ENGINEERING PTE LTD

No. 18 Boon Lay Way #03-98/99
TradeHub 21 Singapore 609966
Tel: (65) 6777 2828
Email: hello@astrolsecurity.net
Website: www.astrolsecurity.net



P.N.	DESCRIPTION	SPECIFICATIONS	UNIT	Q'TY	REMARK
1	Mirror Surface	High impact PC(Polycarbonate)	Piece	1	Clear & waveless surface w/curve radius:R2000
2	Backboard	PP(Polypropylene)	Piece	1	White
3	Assembly Screw	Stainless steel	Set	8	(1) Mirror Surface & (2) Backboard assembly use
4	Swivel	POM	Piece	1	360-degree adjustable
5	Arm	Chrome plated steel plate	Piece	1	Ceiling mount use
6	L-bracket	Chrome plated steel plate	Piece	1	Wall mount use
7	Adjustable Bracket	Chrome plated steel plate	Piece	1	Crescent-shape opening for angle adjustment
8	Nut/Washer for Swivel	M8	Set	1	(3)Swivel & (5)Arm/(6)L-bracket assembly use
9	Bolt & Nut	Galvanized steel	Set	2	(6)Adjustable Bracket & (5)Arm/(6)Lbracket assembly use
10	Wood Screw	Galvanized steel	Set	3	
11	Anchor	Plastic	Set	3	

PI-60



PI-60 INDOOR CONVEX MIRROR