



**MIRROR MATERIAL:** HIGH IMPACT PC (POLYCARBONATE)  
**MIRROR SIZE:**  $\phi$  300mm  
**CONVEX RADIUS:** R550  
**BACKBOARD MATERIAL:** HIGH IMPACT PP  
**MOUNTING METHOD:**  
POLE MOUNT  $\phi$  1.5-2"(48-60mm) / WALL MOUNT



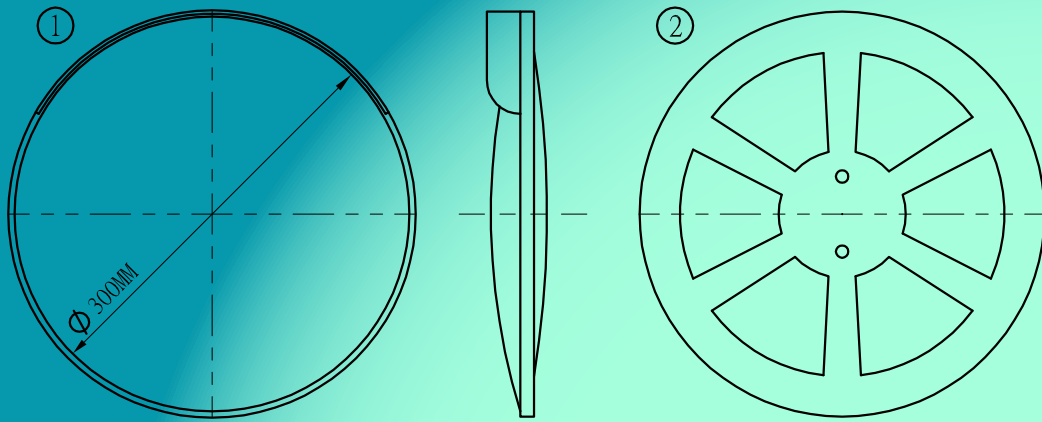
**ASTROL**



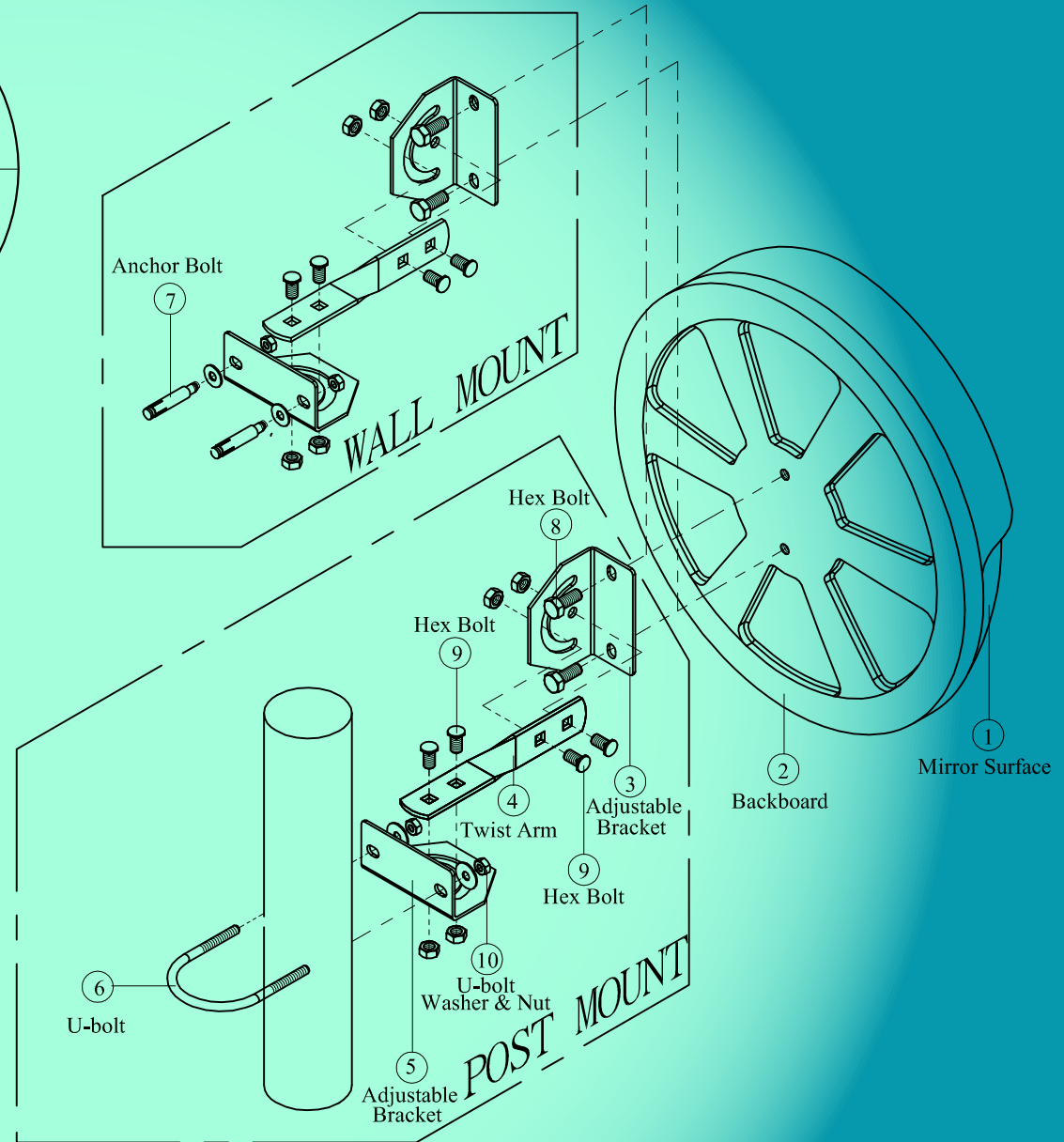
**SECURITY**

ENGINEERING PTE LTD

No. 18 Boon Lay Way #03-98/99  
TradeHub 21 Singapore 609966  
Tel: (65) 6777 2828  
Email: [hello@astrolsecurity.net](mailto:hello@astrolsecurity.net)  
Website: [www.astrolsecurity.net](http://www.astrolsecurity.net)



P.N.	DESCRIPTION	SPECIFICATIONS	UNIT	Q'TY	REMARK
1	Mirror Surface	High impact PC (Polycarbonate)	Piece	1	Clear & waveless surface w/curve radius: R650mm
2	Backboard	PP(Polypropylene)	Piece	1	Orange
3	Adjustable Bracket	Chrome plated steel plate	Piece	1	Crescent-shape opening for up & down angle adjustment
4	Twist Arm	Chrome plated steel plate	Piece	1	90-degree twisted
5	Adjustable Bracket	Chrome plated steel plate	Piece	1	Crescent-shape opening for left & right angle adjustment
6	U-bolt	Galvanized steel	Piece	1	Post mount use
7	Anchor Bolt	Galvanized steel/washer & nut included	Set	2	Wall mount use
8	Hex Bolt	M8	Set	2	(2) Backboard & (3) Adjustable Bracket assembly use
9	Hex Bolt	Galvanized steel/washer & nut included	Set	4	(4) Twist Arm & (5) Adjustable Bracket assembly use
10	U-bolt Washer & Nut	Galvanized steel	Set	2	(6) U-bolt & post assembly use



## PO-30 OUTDOOR CONVEX MIRROR