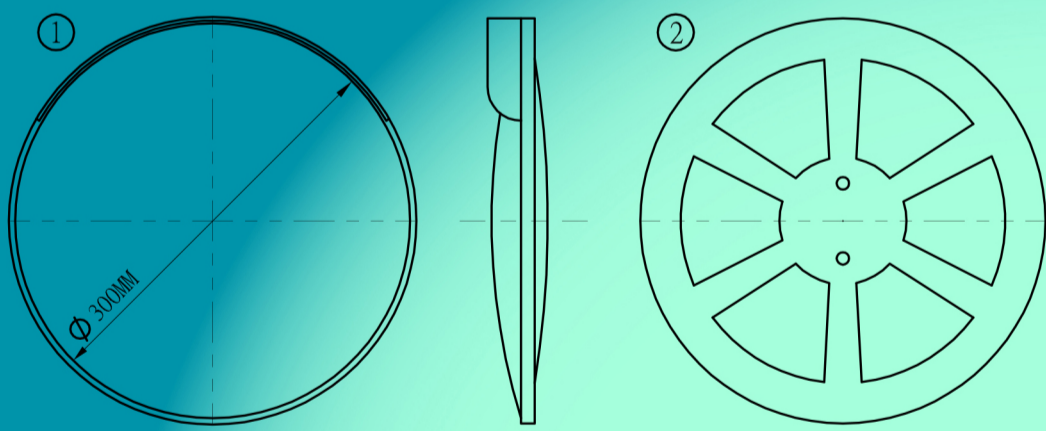


PO 60 & 66

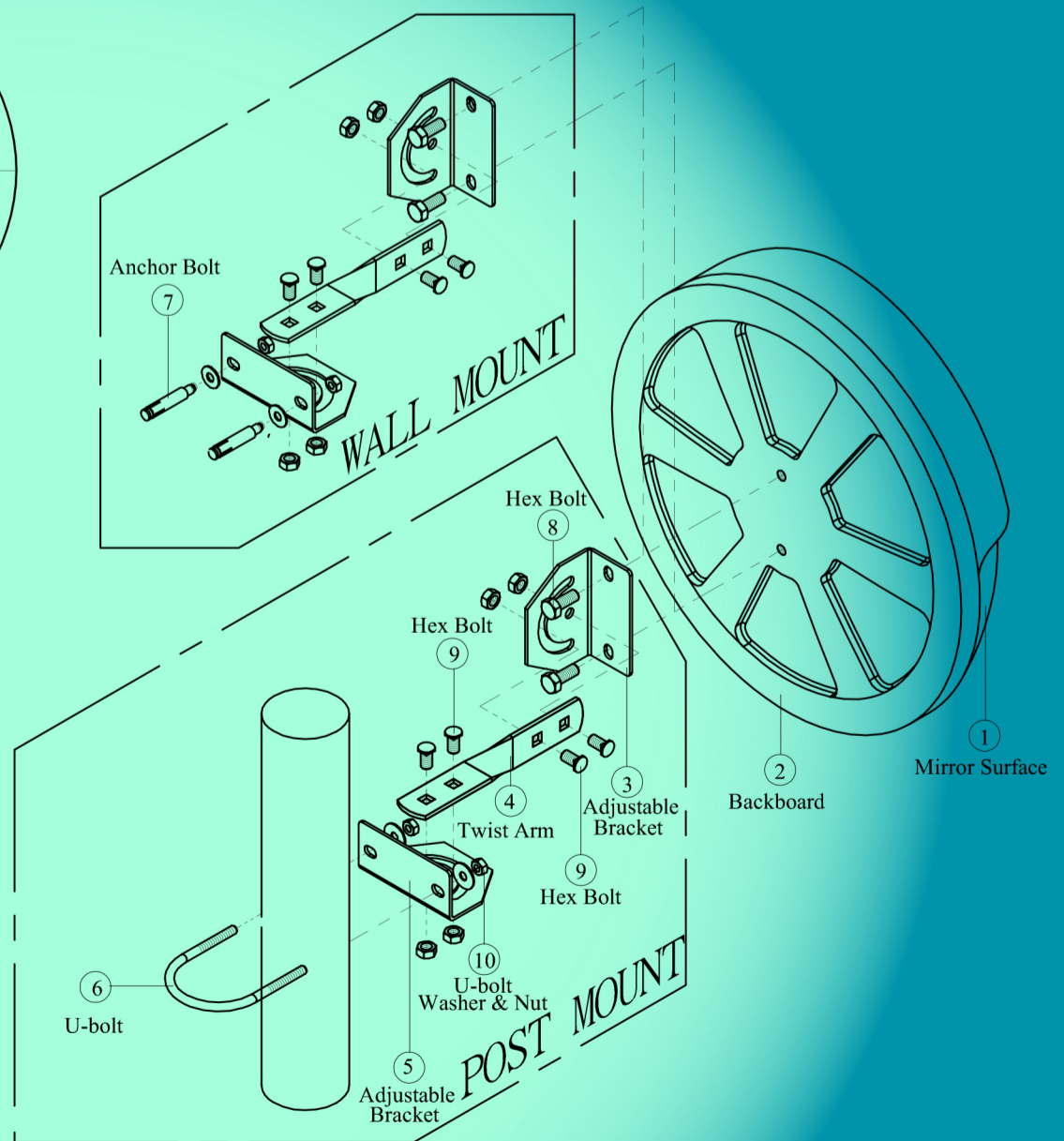


ASTROL SECURITY
ENGINEERING PTE LTD

No. 18, Boon Lay Way #03-98/99
TradeHub 21, Singapore 609966
Tel: (65) 6777 2828
E-mail: hello@astrolsecurity.net
Website: www.astrolsecurity.net
Co. Regn. No: 198202185H



P.N.	DESCRIPTION	SPECIFICATIONS	UNIT	Q'TY	REMARK
1	Mirror Surface	High impact PC (Polycarbonate)	Piece	1	Clear & waveless surface w/curve radius: R650mm
2	Backboard	PP(Polypropylene)	Piece	1	Orange
3	Adjustable Bracket	Chrome plated steel plate	Piece	1	Crescent-shape opening for up & down angle adjustment
4	Twist Arm	Chrome plated steel plate	Piece	1	90-degree twisted
5	Adjustable Bracket	Chrome plated steel plate	Piece	1	Crescent-shape opening for left & right angle adjustment
6	U-bolt	Galvanized steel	Piece	1	Post mount use
7	Anchor Bolt	Galvanized steel/washer & nut included	Set	2	Wall mount use
8	Hex Bolt	M8	Set	2	(2) Backboard & (3) Adjustable Bracket assembly use
9	Hex Bolt	Galvanized steel/washer & nut included	Set	4	(4) Twist Arm & (5) Adjustable Bracket assembly use
10	U-bolt Washer & Nut	Galvanized steel	Set	2	(6) U-bolt & post assembly use



**PO 60 & 66
outdoor convex mirror**