

EP.S3100 Door Control Panel

HIGH PERFORMANCE

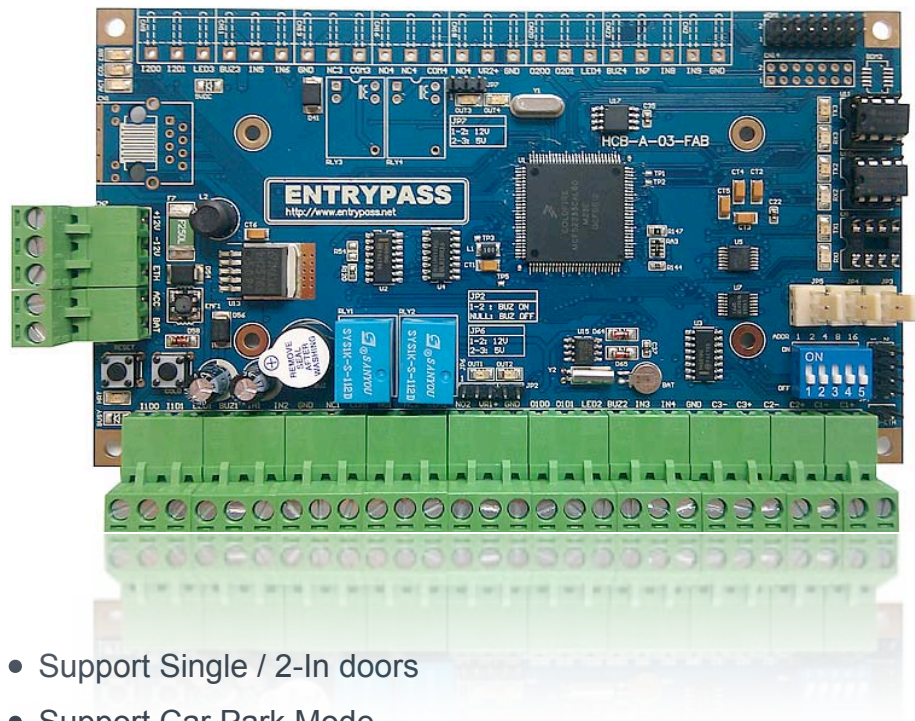
Based on the latest HCB (Hybrid Compact Board), S3100 is a high reliability, high efficiency and highly integrated intelligent multi-application control panel targeted for physical access control industry. It features a 32bits Freescale ColdFire microcontroller running at 60MHz, this control panel can fulfill most demanding requirement in physical access control environment.

MULTI-COMMUNICATION

3 onboard RS-232 / RS-485 user configurable serial communication ports for server communication and 3rd party integration purposes.

DOOR INTERLOCKING

2 In doors interlocking within the control panel, no external wiring is needed. Cross-board interlocking is achievable by acquiring the interlocking signal coming from second control panel before granting the accessibility to the local controller.



- Support Single / 2-In doors
- Support Car Park Mode
- Compatible with various reader technologies
- RS-485 / RS-232 communication ports
- Configurable Digital / Supervised inputs (4)
- Quick terminal plug-in connectors
- Firmware upgrade via server
- Reader Output Control
- AC Fail Monitoring
- Battery Monitoring

Ordering Information

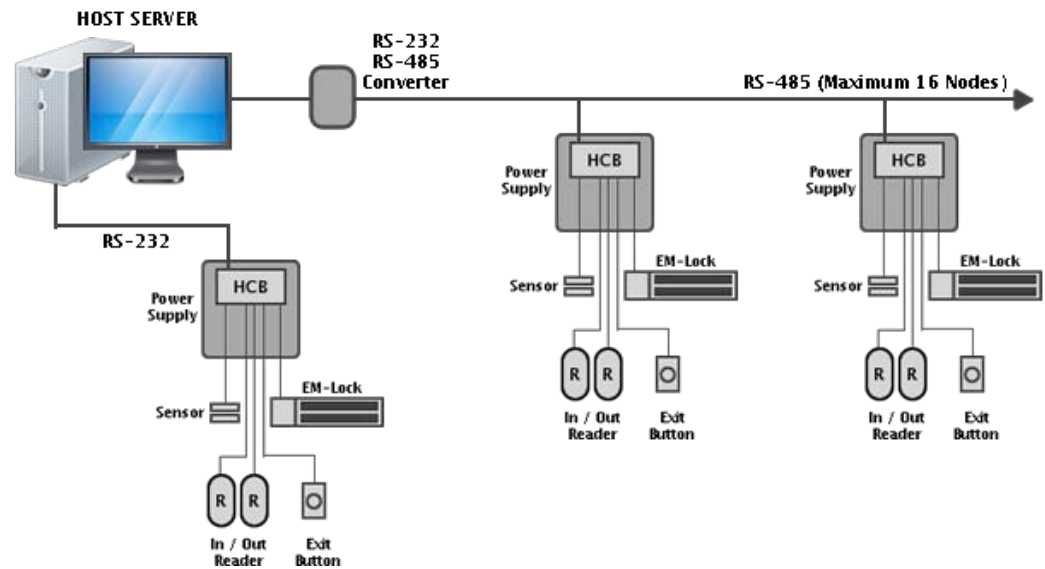
EP.S3100.PCB

Entrypass 2 Readers Serial Door Control Panel Only

EP.S3100.PSU

Entrypass 2 Readers Serial Door Control Panel with Power Supply Unit

Basic System Diagram



ACCESSORIES



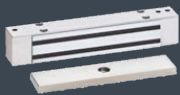
Biometrics Reader



RFID Reader



Magnetic Sensor



EM Lock

Technical Specification	
MCU	32bits @ 60MHz
Memory	<ul style="list-style-type: none"> • 256K Flash Memory • 32K SRAM (Buffer) • 32Mbits Non-Volatile SPI Flash Memory (Storage)
Card Holder	3,000
Event Transaction	10,000
Digital/Supervise Inputs	Max. 4, User configurable (Door Sensor/Request-To-Exit/Fire Input/General Purpose)
Digital Output	Max. 2 Dry contact Relay
Onboard Real Time Clock	Yes
Serial Communication Port	3 - RS232/RS485 User Configurable
Power Protection	Resettable Fuse - 2.5A
Surge Protection	TVS - Up to 15KVA
Onboard LED Control	Power / Communication / LAN / Event / Error
Onboard Buzzer	1
AC Fail Monitoring	Yes
Battery Monitoring	Yes (Firmware threshold control to shutdown control panel)
External Short Circuit Protection	At readers
Backup Battery	Yes, Apply to RTC only

ENTRYPASS CORPORATION SDN BHD

Tel : +60-3-8068 1929

Fax: +60-3-8068 1922

www.entrypass.net

40, Jalan TPP 1 / 10, Taman Industri Puchong,

Bt. 12, Jalan Puchong, 47100 Puchong,

Selangor Darul Ehsan, Malaysia