

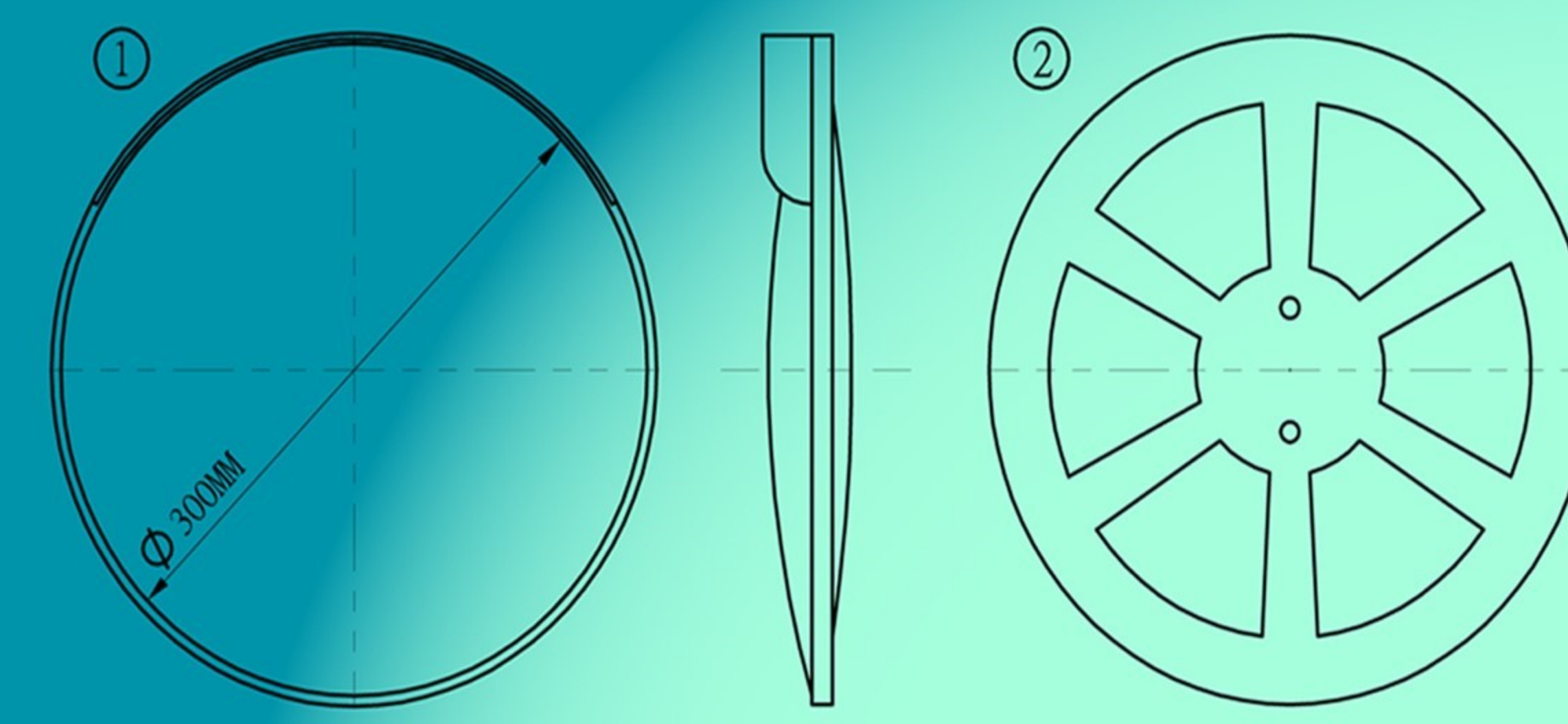
HIGH IMPACT MIRROR POLYCARBONATE



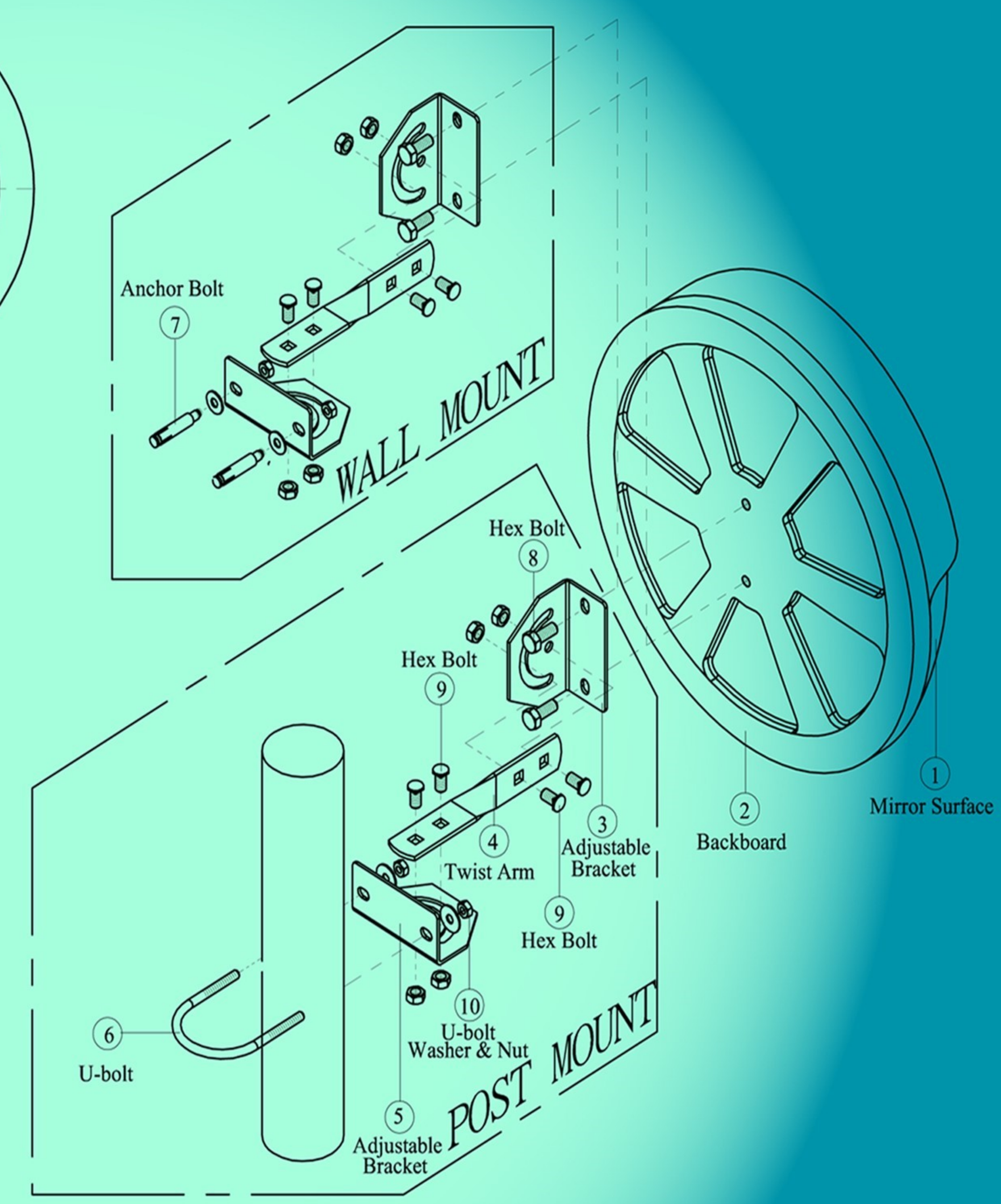
MIRROR MATERIAL: HIGH IMPACT PC (POLYCARBONATE)
MIRROR SIZE: ϕ 300mm
CONVEX RADIUS: R550
BACKBOARD MATERIAL: HIGH IMPACT PP
MOUNTING METHOD:
 POLE MOUNT ϕ 1.5-2"(48-60mm) / WALL MOUNT



No. 18 Boon Lay Way #03-98/99
 TradeHub 21 Singapore 609966
 Tel: (65) 6777 2828
 Email: hello@astrolsecurity.net
 Website: www.astrolsecurity.net



P.N.	DESCRIPTION	SPECIFICATIONS	UNIT Q'TY	REMARK
1	Mirror Surface	High impact PC (Polycarbonate)	Piece 1	Clear & waveless surface w/curve radius: R650mm
2	Backboard	PP(Polypropylene)	Piece 1	Orange
3	Adjustable Bracket	Chrome plated steel plate	Piece 1	Crescent-shape opening for up & down angle adjustment
4	Twist Arm	Chrome plated steel plate	Piece 1	90-degree twisted
5	Adjustable Bracket	Chrome plated steel plate	Piece 1	Crescent-shape opening for left & right angle adjustment
6	U-bolt	Galvanized steel	Piece 1	Post mount use
7	Anchor Bolt	Galvanized steel/washer & nut included	Set 2	Wall mount use
8	Hex Bolt	M8	Set 2	(2) Backboard & (3) Adjustable Bracket assembly use
9	Hex Bolt	Galvanized steel/washer & nut included	Set 4	(4) Twist Arm & (5) Adjustable Bracket assembly use
10	U-bolt Washer & Nut	Galvanized steel	Set 2	(6) U-bolt & post assembly use



PO-30 OUTDOOR CONVEX MIRROR



No. 18 Boon Lay Way #03-98/99
 TradeHub 21 Singapore 609966
 Tel: (65) 6777 2828
 Email: hello@astrolsecurity.net
 Website: www.astrolsecurity.net